

LS810D

Dual low intensity aviation obstruction light



Products description and application

Applying to tower(power transportation, telecom, GSM), smokestacks (power plant, coking plant, chemical plant), high buildings, bridge, harbor machinery, construction machinery, wind turbine etc for aircraft warning. Apply for the Obstacles lower than 45m.

Features

- Aluminium alloy die-cast shell with electrostatic powder spray surface treatment has good anti-vibration and corrosion resistance features.
- Red(yellow optional).
- Anti-UV and shock-resistant PC lamp cover.
- Compliant to the ICAO(Aerodromes Annex 14) and FAA-L810.
- LED Light source, long lifetime, high efficiency and low power consumption.
- Main-standby function, when main light is in failure, standby light will start operation automatically. (Both lights operation at same time optional)
- Photocell control function(optional),photocell on/off level: 500lux
- G3/4"pipe is available for installation, easy for mounting.

General Specifications

Standard	CAAC	MH6012-2015	Aviation obstruction light
	ICAO	ICAO Annex 14 Volume I, 6th Edition	Airport Design and Operation
	FAA	Advisory Circular 150/5345-43GH	Specification for Obstruction Lighting Equipment

Electrical parameters		Mechanical structural parameters	
Operating voltage	DC12-48V / AC100-240V	Operating temperature	-40°C~ +55°C
Frequency	50-60Hz	Operating Humidity	10%~95%RH
Power consumption	7W	Storage temperature	-40°C ~ +70°C
Lightning surge	IEC61000-4-5 L- L 6kV	IP protection	IP65
	IEC61000-4-5 L- G 6kV	Weight	2.3 kg
Electrostatic discharge	IEC61000-4-2 Contact discharge 8kV		
Optical parameters			
Intensity	32.5cd		
Vertical degree	≥10°		
Color	Red		
Horizontal degree	360°		
Working mode	Steady burning (flashing optional)		

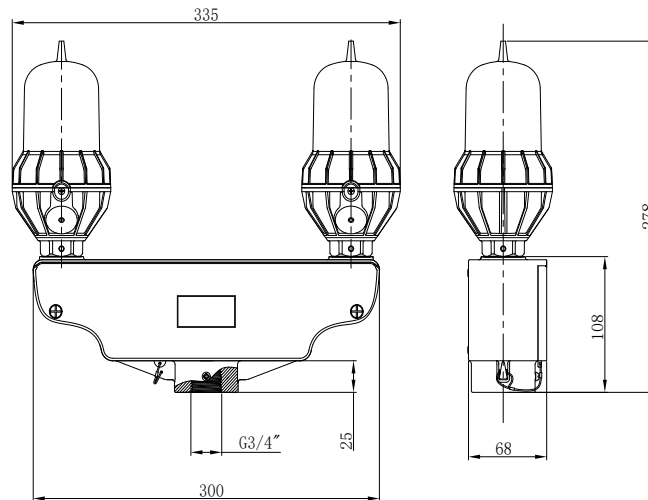
LS810D

Dual low intensity aviation obstruction light



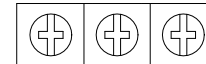
Mounting dimensions

Unit : mm



Installation and Operation

1. Please check the supply voltage does comply with rated voltage of the lamp.
2. Screw the lamp on G3/4" pipe of mounting bracket, which should be fixed on a smooth surface with enough mechanical strength. Or you can select our mounting bracket: PJ024, PJ005. Note that installation is fixed and reliable, so as not to fall.
3. If the lamp is with photocell, please do not put photocell direct to nearby light. Meanwhile ensure that the photocell is not obstructed by nearby object.
4. Open the connection box and connect the power wire, signal wire according to marking. Then remount the connection box. **(For customized product, please make object as standard.)**



AC	PE	N	L
DC	PE	V-	V+

5. According to the actual needs, select the corresponding fault alarm terminal. Specific wiring method refers to the following fault alarm function.
6. Switch on the power after check up. The light begins to work.

DIP switch function using the method

Please operate when the power supply is disconnected: open the cover of the junction box and use a screwdriver to dial the switch.

BIT1, BIT2: Steady burning and flashing setting position of aviation light. As per below: **(Factory default Steady burning)**

Dial cod	11	10	01	00
Dial sample figure				
Flashing rate	30 FPM	40 FPM	60 FPM	Steady burning

BIT3: aviation light operation mode setting position. As per below: **(Factory default Main-standby)**

Dial cod	1	0
Dial sample figure		
Working mode	Operation at the same time	Main-standby

LS810D

Dual low intensity aviation obstruction light

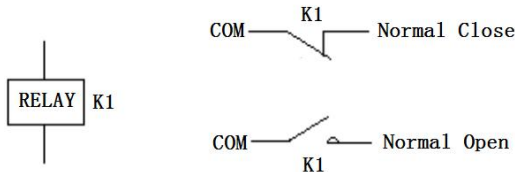


Remark 1: The dial switch is 0 at the digital side and 1 at the ON side.

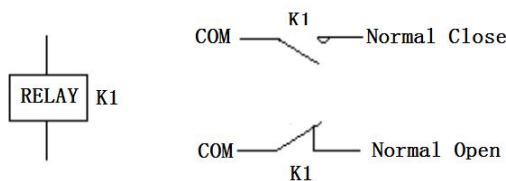
Remark 2: When there is a specific requirement, the factory setting value shall be based on the requirement.

Fault alarm function

When the light don't connect the power supply or the light is in failure: relay has no action, "COM" and "Normal Close" terminals closed, as per below:



When the light connect the power supply and operation normally: the relay work, "COM" and "Normal Open" terminals closed, as per below:



- If need to receive the "open" signal when no power supply connection or in fault alarm, signal wire should connect at "COM" + "Normal Open" terminal;
- If need to receive the "closed" signal when no power supply connection or fault alarm, signal wire should connect at "COM" + "Normal Close" terminal.

Notes

- The part of material of products is PC(like lamp cover and lamp shell), so it cannot direct or indirect touch the organic solvent, such as industrial alcohol, banana oil, isotropic alcohol, carbon tetra chloride, cyclohexanone and so on, otherwise, the product will be corrosion.
- Please do not be tampered with by anyone other than registered installer. Once found, we are not warranty.
- Temperature rise when light working is normal phenomenon.

How to Order

Order No	Model No	Voltage Input	Working mode	Color outside	photocell	Installation method
1000238-001	LS810D	AC100-240V	Steady burning/Main-standby	Red	Yes	G3/4" pipe mount
1000238-002	LS810D	DC12-48V	Steady burning/Main-standby	Red	Yes	G3/4" pipe mount
1000238-003	LS810D	AC100-240V	Steady burning/Main-standby	Red	No	G3/4" pipe mount
1000238-006	LS810D	DC12-48V	Steady burning/Main-standby	Red	No	G3/4" pipe mount
1000238-010	LS810D	AC100-240V	Steady burning/Main-standby	Yellow	Yes	G3/4" pipe mount

Thanks for choosing our products, NANHUA Electronics is the professional brand of signal transmission and high quality industrial lighting which is trusted and loved by global users from various industries. Read and understand these instructions completely and carefully. Wrong installation and operation may lead to fires, electric shock, and others. Due to our continued efforts to improve our products, product specifications are subject to change without notice.

©NANHUA Electronics Co., Ltd. All rights reserved. All rights reserved. www.nanhua.com