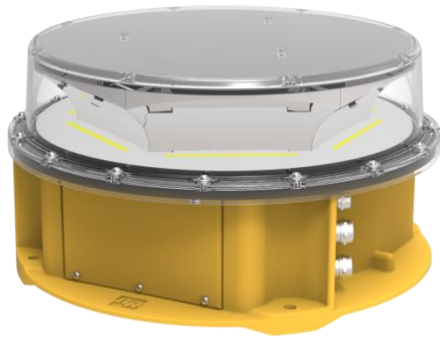


# LM403A

## Medium Intensity Aviation Obstruction Light



### Products description and application

- LM403A Medium intensity aviation light Type A&B with working mode of 20000cd intensity white flashing in the daytime and 2000cd white flashing at night, and also with red 2000cd steady burning/flashing at night optional.
- Combined with the advanced LED light source, optical and system control technology to meet the most demanding applications;
- Suitable for towers, chimney, high building, bridge, large construction machinery, large port machinery, wind turbine generation and any other potentially hazardous obstructions to air traffic.
- Outdoor and hazardous area suitable.

### Features

- Aluminium alloy die-cast shell with electrostatic powder spray surface treatment has good anti-vibration and corrosion resistance features.
- Anti-UV and shock-resistant PC housing; Flammability level: UL94V-2.
- Automatic power off device if open the lights cover for safety protection.
- LED Light source, long lifetime and low power consumption.
- Professional EMC design, Anti-electromagnetic interference.
- Wind resistance rating:  $\geq 240\text{km/h}$ .
- Local time setting control or photocell control as priority for day to night switch optional.
- With fault alarm detection and fault alarm output function.
- With synchronization function(GPS).

### Specifications

International	CAAC MH6012-2015 ICAO ICAO(Annex 14)14 Volume I, Sixth Edition FAA Advisory Circular 150/5345-43H		
<b>Electrical parameters</b>		<b>Mechanical parameters</b>	
Voltage input	AC110V/ AC220V /DC48V	Storage temperature	Ta-40°C ~ +70°C
Fault alarm	Dry contact (NO or NC optional)	Operation temperature	Ta-40 °C ~ +55°C
Average Power Consumption	Daytime: 45W (40FPM)	Humidity	0% ~ 90% RH (Not condensed)
Lightning surge	IEC61000-4-5 L- L 3kV , IEC61000-4-5 L-G 6kV	IP Rate	IP66
Electrostatic Discharge	IEC61000-4-2 Contact discharge8kV	Weight	18.2kg
<b>Optical parameters</b>			
Light source	LED	Color	white/white+red <sup>1</sup>
Work mode	Flashing	Lifespan	$\geq 100,000\text{h}$
Flashing rate	Daytime/twilight: 20/30/40 FPM; Night:20/30/40/60FPM,steady burning(red); (default 40 FPM)	Horizontal degree	360°
Flashing duration	Daytime/twilight :95ms; White color at night:150ms; Red color at night:670ms	Vertical degree	$\geq 3^\circ$
Intensity	Daytime/twilight:20000 $\pm$ 25%cd; Night:2000 $\pm$ 25%cd	On/Off level	50-500lux

1.White and red color can be optional at night, when choose red color, white color should be standby; means that when red color is in failure at night, white color began to operation.

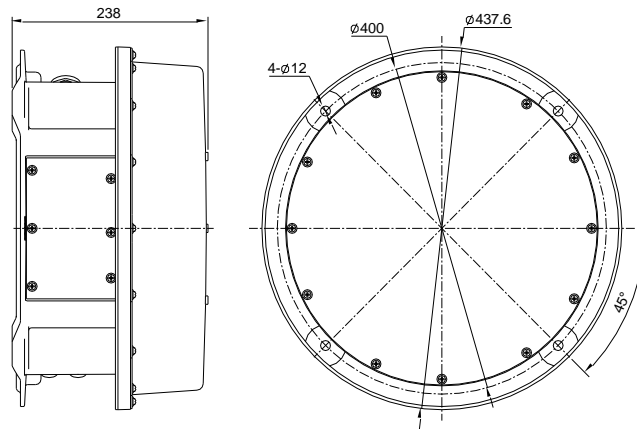
# LM403A

## Medium Intensity Aviation Obstruction Light

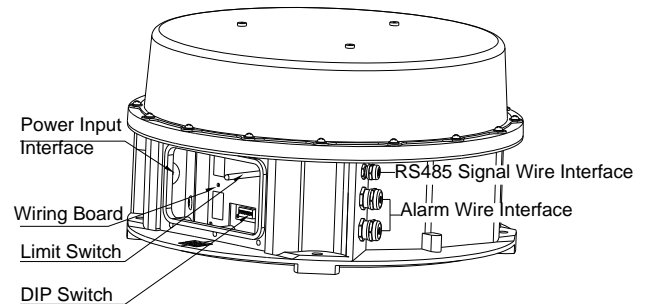
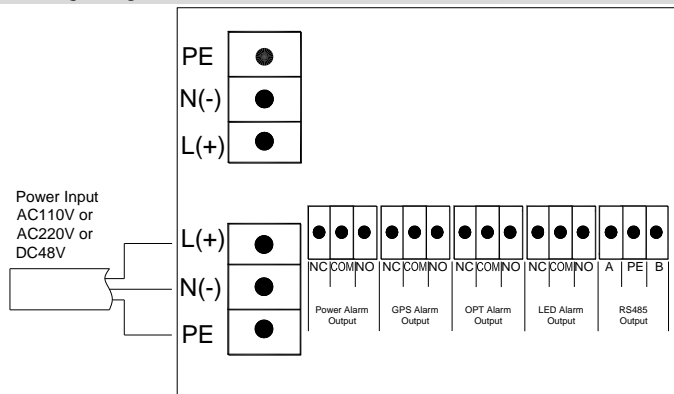


### Mounting dimensions

unit:mm



### Wiring diagram



**Notice:** The specific input voltage is subject to the order.

Wiring board wiring diagram

Schematic diagram of lamp wiring structure

### Installation method of use

- Secure the light on a smooth surface which has enough strength, if there is no mounting surface, we can customize special mounting bracket as request.
- When installation, please stay away the nearby light source, at the same time, ensure the photocell do not cover by the near object: [suitable for the type with photocell].
- Make sure the power supply can match the rated power of light before connecting.
- GPS synchronization function test in the outdoor without blocking the environment test, synchronization takes about 30 minutes .
- Open the wiring cover in side, Pass the input power cable through the power input connector on the left side of the lamp(AC or DC), connect the power cable correctly according to the marks on cable connection label. DC Voltage please pay attention to the polarity of the positive and negative poles , Penetrate the fault alarm wire and RS485 signal cable separately by the interface of alarm cable and signal cable on the right side of the light; And then check the line, please tighten the waterproof gland and buckles, and finally connected to the power supply. After power on, press the limited switch, the light starts to work.
- Every restart or power on of the lamp, it will delay 30 seconds for self-testing.
- It has limited switch, and is used to open the wiring cover, and the automatically powered off when open the light; but the power input end of the wiring board is still connected, please pay attention to safe operation.
- For AC voltage input lamps, it is recommended to use a 3-core 1.5mm<sup>2</sup> sheathed cable (cable outer diameter 5-10mm) or a 3-core 2.5mm<sup>2</sup> sheathed cable (cable outer diameter 9-14mm) for power cable; Please consult us.
- For lamps with DC voltage input, it is recommended to use 3-core 4mm<sup>2</sup>sheathed cable (outer cable diameter 13-18mm) for power cables; Please consult us.
- Alarm cable was suggested to use 4\*1~1.5mm<sup>2</sup>sheathed cable; Signal cable was suggested to use 3\*0.5-1mm<sup>2</sup>twisted pair or shielded cable.

### Light dial switch function operation method

- This product has the flashing rate manual adjustment function.
- Please make sure power off before the flash mode adjustment: open the lamp body, and use a screwdriver toggle DIP switch.



# LM403A

## Medium Intensity Aviation Obstruction Light



BIT1、BIT2: Obstruction light daytime flashing rate set location, details as below: (The factory setting defaults to 40FPM.)

Dial Number	11	10	01	00
DIP figure				
Flash rate	60FPM	40FPM	30FPM	20FPM

BIT3: Obstruction light working mode setting as below: (The factory setting defaults to flashing at night)

Dial Number	1	0
DIP figure		
working mode	Steady burning at night (red)	Flashing at night

BIT4、BIT5: Obstruction light night flashing rate setting location, details as below: (The factory setting flashing rate defaults to 40FPM.)

Dial Number	00	01	10	11
DIP figure				
Flash rate	20FPM	30FPM	40FPM	60FPM

BIT6: Day and night switch selection as below: (The factory setting photocell priority)

Dial Number	0	1
DIP figure		
working mode	Time control priority	Photocell priority

BIT7: DIP switch function setting below:(The factory setting defaults to flash frequency setting valid.)

Dial Number	0	1
DIP figure		
control	Dial the frequency non-effective	Dial the frequency

BIT8: Red light at night or no red light(white flashing at night), setting below: (The factory setting default with no red light)

Dial Number	0	1
DIP figure		
With red light or not	yes	no

Remarks 1: The DIP switch is 0 at the digital end, and 1 at the ON.

Remarks 2: Operation time of the obstruction light is synchronous offered by GPS module. When no GPS signal is powered on, it is initialized, that is, night mode.

### Time control priority application Introduction

•Time-controlled factory default setting time slot open schedule:

Time slot	Dawn	Day	Dusk	Night
Season (Start-End Date)				
Spring (21th March-21th June)	5: 00-7: 00	7: 00-17: 00	17: 00-19: 00	19: 00-5: 00
Summer(22th June-23th Sep)	4: 00-6: 00	6: 00-18: 00	18: 00-20: 00	20: 00-4: 00
Autumn(24th Sep- 22th Dec)	5: 00-7: 00	7: 00-17: 00	17: 00-19: 00	19: 00-5: 00
Winter(23th Dec- 20th March)	6: 00-8: 00	8: 00-16: 00	16: 00-18: 00	18: 00-6: 00

Remark 8: When the time into the night, photocell control is invalid, the lamp is forced to run in the night mode.

Remark 9: When the time into the dawn, photocell control effectively, lamp will switch to day time. if the photocell control reaches a certain threshold, on the contrary to continue in the night.

Remark 10: When the time into the daytime, photocell control is invalid, the lamp is forced to run in daytime mode.

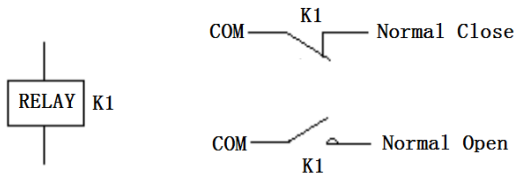


Remark 11: When the time into the dusk, photocell control effectively, lamp will switch to the night if the photocell control reaches a certain threshold, on the contrary to continue in the day time.

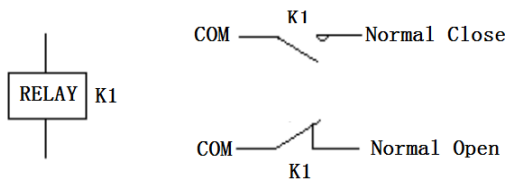
Remark 12: The period of spring, summer, autumn and winter is subject to the northern hemisphere.

### Fault alarm function

•when the lamp is not receiving a power supply or a lamp failure: The relay has no action, "common terminal" and "normal close terminal" close, as below:



•The lights are connected to the power supply and are working properly: Relay action, "common terminal" and "normal open terminal" close, as below:



•If there is no power access, or failure are received "disconnect" signal, the alarm signal line connected to the "common" + "normally open"  
 •If the "closed" signal is received when there is no power supply access or fault, the alarm signal line is connected to "common" + "normal closed"

### Fault detection function description

- When the light is white. When the single-sided lamp is not lit or the white LED lamp bead of more than 25% of the whole lamp is not lit, The lamp will output a light alarm signal.
- When the light is red at night. When the red LED lamp bead of more than 25% of the whole lamp is not lit, The lamp will output a light alarm signal and switch to the night white light working mode.
- When the GPS have no signal for 30minutes. The lamp will output a GPS alarm signal.
- When the photocell lost signal for 24h, The lamp will output a light alarm signal.
- When it is no voltage in the control panel of the lamp, and the lamp will output a power failure alarm signal.

### Precautions

- For high-power lamp , the surface temperature is high, it cannot be covered. And the distance from the object no less than 3m, to avoid burns or fire.
- The part of material of products is PC( like lamp cover and lamp shell ), so it cannot direct or indirect touch the organic solvent, such as industrial alcohol, banana oil, Isopropanol , Carbon tetra chloride, cyclohexanone and so on, otherwise, the product will be corrosion cracking.
- Ensure the power connection part is correct before using and temperature rise when light working is normal phenomenon.
- It with delay judgment about 15s after photocell change detected and about 10 s delay after alarm detected which as normal phenomenon.
- The cable diameter connected with obstruction light and power box bigger than 4mm x2, length less than 20m. Otherwise, it may occur voltage loss result in obstruction light cannot turn on or intensity insufficient.
- Please do not open any components inside by yourself and do not look light horizontally to protect your eyes while the light working.
- Do not operate with electricity.

Thanks for choosing our products, NANHUA Electronics is the professional brand of signal transmission and high quality industrial lighting which is trusted and loved by global users from various industries. Read and understand these instructions completely and carefully. Wrong installation and operation may lead to fires, electric shock, and others. Due to our continued efforts to improve our products, product specifications are subject to change without notice. ©NANHUA Electronics Co., Ltd. All rights reserved. www.nanhua.com